



DISCUS 225 DOWNLIGHT

1400LM / AC100-130V / 18W

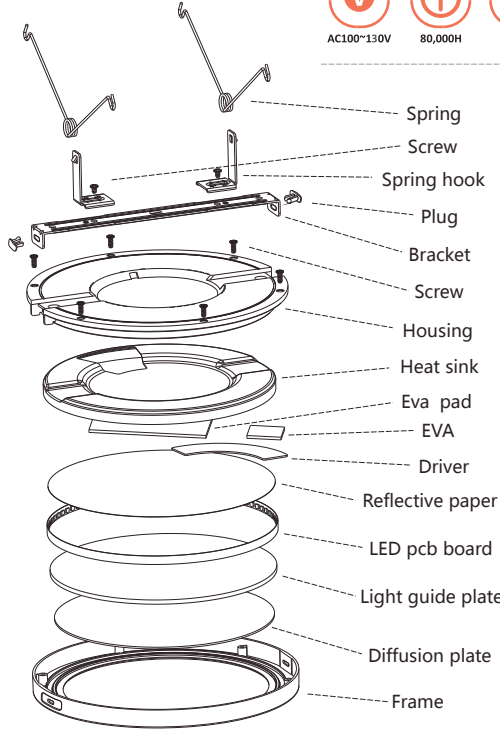
Project Name:

Date:

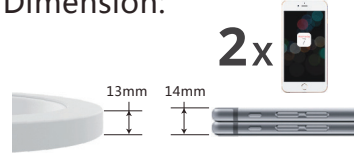
Type:

Parameters:

Optical Parameters:	
CCT:	2800-3200K/4000-4500K/5000-6500K
Lumen output(lm)±5%:	1400 LM@3000K
Lumen efficacy:	80 LM/W
LED Type / Qty:	SMD2835 / 112PCS
CRI:	>80
Electrical Parameters:	
Rated Power(W)±5%:	18W
Rated / Actual Input:	AC 100-130V / 60Hz
Driver output Data:	120Vdc/ 105mA/ 12.6W
Power Factor / THD / PE:	>90% / <30 / 70%
Driver/Connection:	Driver Inside
Beam Angle:	120°
Over Load / Short Circuit:	Protection
Life:	
Warranty:	5 years
Lumen Maintenance:	80,000hrs
LM80:	>97.1% lumen maintance@6000hrs
Others:	
Dimmable Solution:	Triac (UL)
IP/IK/Glow-wire:	IP44
Operating Temp:	-20°C~+40°C
Storage Temp:	-40°C~+85°C
Frame Color RAL:	White / Black / Silver



Dimension:



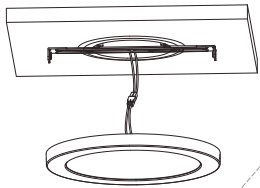
Φ8.9" x .52"



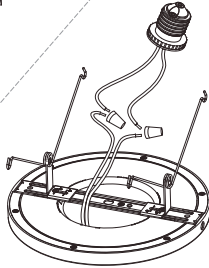
- White
- Black
- Silver



INSTALLATION METHOD

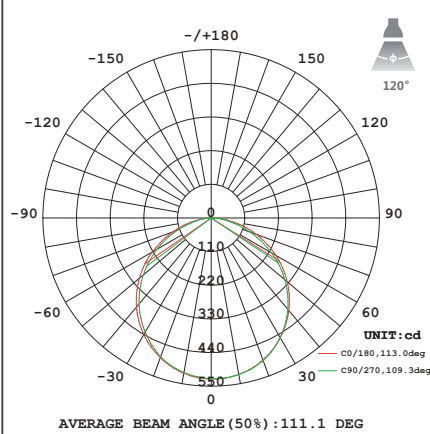


A.
J-Box installation is applied to 6W/12W/18W/24W mini panel for North American market

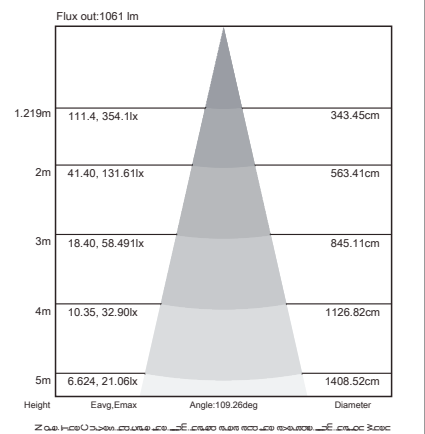


B.
5/6" Can is applied to 12W/18W/24W mini panel for North American market

POLAR CURVES WIDE DISTRIBUTION



AVERAGE AND CENTER FIGURE



LIGHTING SQUARED
3902 Henderson blvd 208-263
Tampa, Florida
cs1@lightingsquared.com