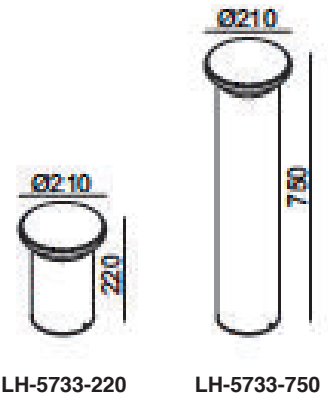


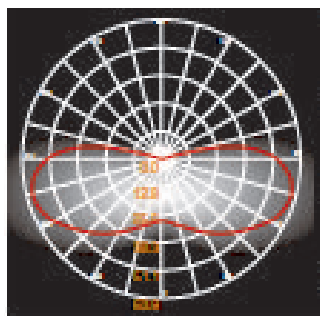


LH-5733 VEREDA SERIES

FEATURES

- BODY AND BRACKET IN DIE CAST ALUMINUM
- POWDER COATED WITH PRETREATMENT FOR OUTDOOR USE
- FROST PC
- SILICON RUBBER GASKET
- DEDICATED LED ENGINE





LH-5733-220
LH-5733-750

<u>CODE</u>	<u>LAMP</u>	<u>BEAM</u>	<u>CRI</u>	<u>RATED</u>
LH-5733 220-750	LED 3000K 10W	197D	>81	IP 54