



LH-2700-650



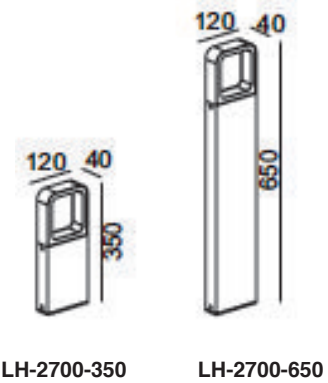
LH-2700-350

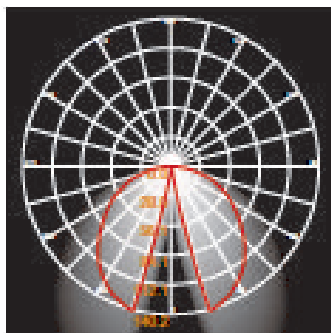


## LH-2700 VEREDA SERIES

### FEATURES

- \* MODERN DESIGN OPTIMIZES PERFORMANCE
- ALUMINUM BODY AND BRACKET
- POWDER COATED WITH PRETREATMENT FOR OUTDOOR USE
- FROST PC
- SILICON RUBBER GASKET
- DEDICATED LED ENGINE





LH-2700-350  
LH-2700-650

<b>CODE</b>	<b>LAMP</b>	<b>BEAM</b>	<b>CRI</b>	<b>RATED</b>
LH-2723 350/650	LED 3000K 7W	45D	>82	IP 54

ALSO AVAILABLE IN 4000,5000 CCT AT 80 CRI+