



# LIGHTING SQUARED

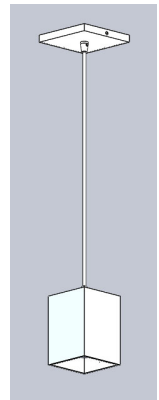
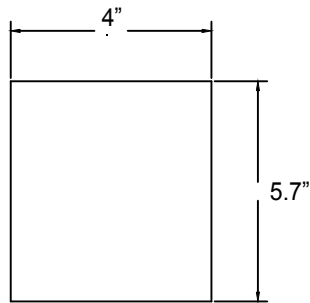


BOX 20 C SHOWN FOR CLARITY

## BOX 20 P SERIES

A minimal geometric form designed to accent the current modern design. An electrostatically applied powdercoat for a durable finish. Special colors are available upon request for additional appearances.

The BOX 20 Series is an energy efficient design capable of using both LED or more traditional light sources. This family of luminaires has companion ceiling and wall versions, the pendant version utilizing a discreet canopy for use with a 3.5" octagon box. Cable length is field adjustable with a max 6' length.



### DESIGN OPTIONS

MODEL	FINISH	MOUNTING	VOLTAGE		LIGHT SOURCE
BOX 20 P	COLOR	CEILING - INTERIOR	120		1 X PAR20/PAR35 35 WATT MAXIMUM

